



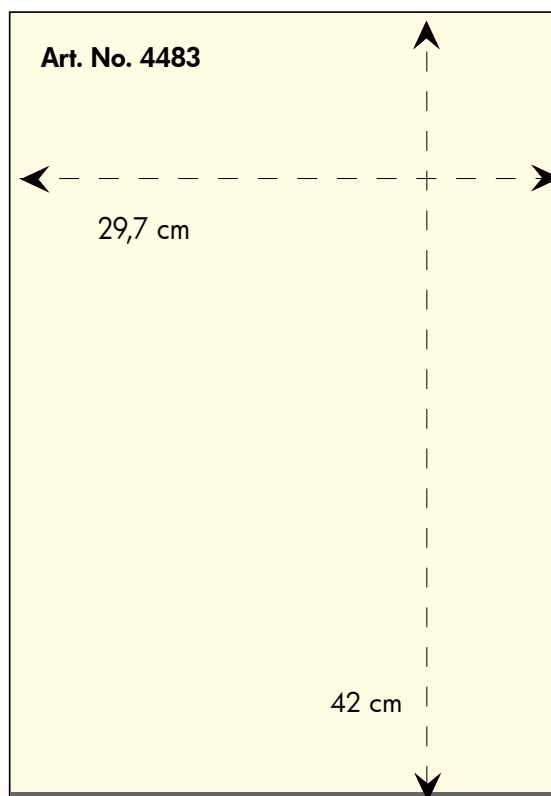
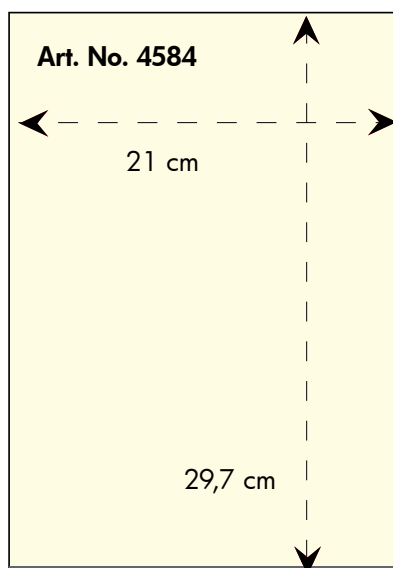
## Technical Guide



### 340 Roll-Up Mini

Produced in a lightweight silver anodized aluminium construction. Tape on top profile and bottom paper roll makes the mounting of the material easy. New tape must be mounted by changing the material.

**We recommend following banner:**  
200-250 g polyester.



Art. No.	Bannersize	Visible part	Color	Total W x H	Package Size	- Weight	Pallet Size	- Quantity
4584	21*29,7 cm A4	21*29 cm	Alu	24,5*34 cm	4,5*26*4,5 cm	0,4 kg	80*120*220 cm	800 pcs.
4483	29,7*42 cm A3	30*41 cm	Alu	33*43,5 cm	4,5*35*4,5 cm	0,5 kg	80*120*220 cm	400 pcs.